

## 銀科工業的承諾

### 產品售後服務



所有經銀科工業售出的產品均享有一年產品質量保證，以及14天內退換保證（以出貨日期為準）

如在正常使用和正確安裝的情況下出現損壞，我們定會為您提供免費換貨

**香港總公司:**

**銀科工業(香港)有限公司**  
香港荃灣沙咀道66A號豪力中心2108室  
電話: (852) 2499 9168  
傳真: (852) 2417 9183 8343 6887  
電郵: sales@silvertech.com.hk  
網址: www.silvertech.com.hk

**東莞分公司:**

**東莞動力銀科工業配件有限公司**  
東莞市塘廈鎮橋龍大道23號銀科大樓  
電話: (86-769) 8798 1699 8798 2699  
8625 2718 (10Line)  
傳真: (86-769) 8798 1313 8625 2719  
電郵: dgoffice@silvertech.com.hk

**青島辦事處:**

青島市市南區寧夏路268號商務樓B413室  
電話: (86-532) 8575 5305  
傳真: (86-532) 8571 5015  
電郵: qdoffice@silvertech.com.hk

**深圳工廠:**

銀錕德傳動件制造(深圳)有限公司

**成都工廠:**

成都銀科同步帶輪製造有限公司

**常州工廠:**

常州銀科傳動件有限公司

**Hong Kong Headquarters:** (For Import & Export Sales)

**Silvertech Industrial (H.K.) Ltd.**  
Rm.2108, Ho Lik Centre, 66A Sha Tsui Road, Tsuen Wan, Hong Kong.  
Tel: (852) 2499 9168  
Fax: (852) 2417 9183 8343 6887  
Email: sales@silvertech.com.hk  
Web Site: www.silvertech.com.hk

**China Guangdong Branch Office:** (For Domestic Sales)

**Silvertech Industrial (Dong Guan) Ltd.**  
Silvertech Building, 23 Qiao Long Road, Tangxia, Dongguan, Guangdong, China.  
Tel: (86-769) 8798 1699 8798 2699  
8625 2718 (10Lines)  
Fax: (86-769) 8798 1313 8625 2719  
Email: dgoffice@silvertech.com.hk

**China Qingdao Sales Office:** (For Domestic Sales)

Rm.B413, No. 268, Ningxia Road, Qingdao, Shandong, China  
Tel: (86-532) 8575 5305  
Fax: (86-532) 8571 5015  
Email: qdoffice@silvertech.com.hk

**China Shen Zhen Factory:**

**Madler-Silvertech Power Transmission Components (Shen Zhen) Ltd.**

**China Cheng Du Factory:**

**Cheng Du Silvertech Timing Pulleys Manufacturing Ltd.**

**China Chang Zhou Factory:**

**Chang Zhou Silvertech Power Transmission Products Ltd.**

服務投訴電話: (852) 2499 9168、(86) 138 2697 1737

SILVERTECH

www.silvertech.com.hk

專業製造

# SILVERTECH 銀科工業



**STI** 高品質傳動件 High Quality Power Transmission Products

www.silvertech.com.hk

選銀科工業 • 做最好機械  
Your 1st choice for Industrial Products



STI

### 公司簡介

銀科工業(香港)有限公司 – 成立於1992年，總部位於香港，分公司和工廠設於中國內地。公司的主要業務及經營範圍：生產 **STI** 品牌屬下的高質量工業傳動零部件，出口外銷至歐美及其它世界各國，同時也內銷至大中華地區。此外，我們還進口德國、瑞士、意大利、美國、日本和台灣等國家和地區的高科技工業產品，並且是這些世界級著名品牌的大中華區域總代理。

累積近乎二十年服務海外和大中華客戶的經驗，我們不斷的總結、不斷發展、不斷進步，因此而奠下了堅實的基礎，在海內外業界均享有優良的聲譽和知名度。銀科工業無論由：原材料採購 – 生產管理 – 質量控制 – 倉存量控制 – 銷售方式 – 技術支援 – 包裝付運 – 跟蹤到貨 – 售後服務等等，每一環節都務求做到盡善盡美，因為我們切身體會只有得到客戶的信賴才是公司發展的最大希望！

在系統化的在職培訓再加上員工對公司的歸屬感，大家分別工作於香港、東莞、深圳、青島、成都和常州，今天的銀科工業已擁有一支非常專業且盡責的團隊，為國內外工業界提供優質產品，為貼近客戶而盡我們所能！

“選銀科工業 做最好機械” 這不僅是我們的承諾，更是對客戶的責任。

### About us

Silvertech Industrial (HK) Ltd was established in 1992, with its headquarter in Hong Kong, and branches as well as factories in mainland China. Our business focuses on the production of high quality power transmission parts under the brand **STI**.

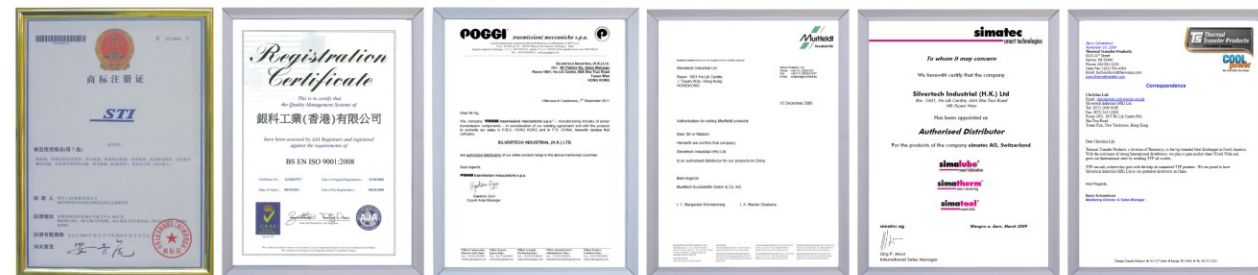
Our products are very popular in the global markets, such as Europe, North American, and Greater China Area. In addition, we are the exclusive dealer in the Greater China Area for a few world-renowned high tech industrial products from Germany, Switzerland, Italy, USA, Japan and Taiwan.

We are growing stronger with almost twenty years experience of serving clients in overseas and Greater China Area. Silvertech Industrial has well developed world reputation and brand loyalty. We arm to provide perfection in our value net, such as procurement of material, production management, quality control, stock and storage, marketing, technical support, logistics, and after sale service. It is our ultimate goal to maintain the trust from our clients and continue with sustainable growth.

Our company engages in systemic on the job training and invests in corporate human resource. We have developed an extremely competent and dedicated team working in Hong Kong, Dongguan, Shenzhen, Qingdao, Chengdu, and Changzhou. We are known as the company providing the best products and service for our customers.

Our promise: **Silvertech – Your 1st choice for Industrial Products**  
We take this promise as our responsibility.

公司秉承“准時、準確、高質量為客戶服務”即二准一高的質量方針，將不斷總結和提高對客戶服務的質量。



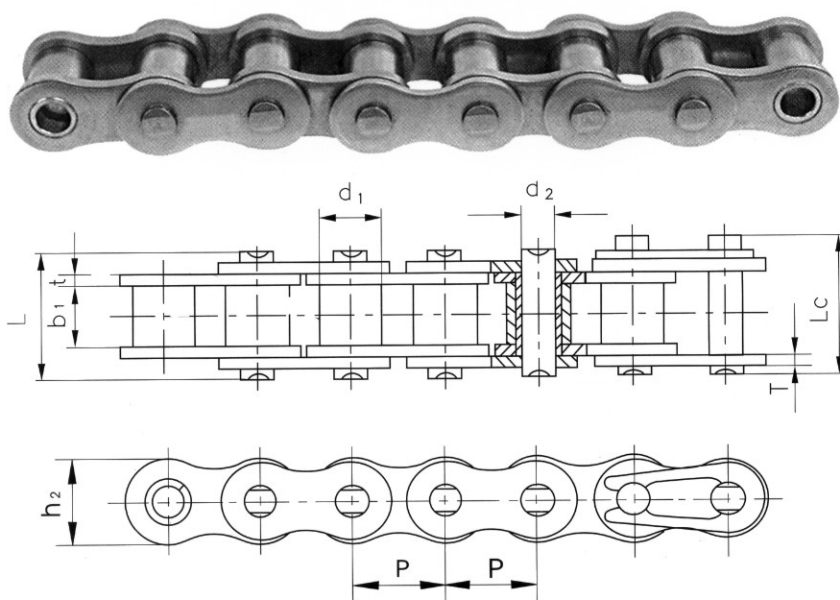
## 目錄 Directory

聯軸器系列	COUPLING	001-010
鏈條系列	ROLLER CHAIN	011-027
鏈輪系列	SPROCKET	028-047
同步帶輪系列	TIMING BELT PULLEY	048-092
正齒輪系列	SPUR GEAR	093-104
軸套卡圈系列	SHAFT COLLAR	105-107
錐套系列	TAPER BUSH	108-110
脹緊連接套系列	LOCKING ASSEMBLY	111-165

# 不銹鋼鏈

Stainless steel chains

不銹鋼鏈條適合在易受食品、化學、藥品等侵蝕場合使用,還可用于高低溫場合。  
Stainless steel chains are suitable for corrosive conditions involving food, chemicals, pharmaceuticals, etc. also suitable for high and low temperature conditions.



鏈號 Chain No.	節距 Pitch	滾子直徑 Roller diameter	內節內寬 Width between inner plates	銷軸直徑 Pin diameter	銷軸長度 Pin length		內鏈板高度 Inner plate depth	鏈板厚度 Plate thickness	平均拉伸載荷 Average tensile strength	極限拉伸載荷 Ultimate tensile strength	每米長重 Weight per meter
	P	d <sub>1</sub> max	b <sub>1</sub> min	d <sub>2</sub> max	L max	L <sub>c</sub> max	h <sub>2</sub> max	t/T max	Q min	Q <sub>0</sub>	q
	mm	mm	mm	mm	mm	mm	mm	mm	kN	kN	kg/m
*35SS	9.525	5.08	4.77	3.58	12.4	13.17	9.00	1.30	5.5	6.6	0.33
40SS	12.700	7.95	7.85	3.96	16.6	17.8	12.00	1.50	9.6	10.8	0.63
50SS	15.875	10.16	9.40	5.08	20.7	22.2	15.09	2.03	15.2	17.2	1.03
60SS	19.050	11.91	12.57	5.94	25.9	27.7	18.00	2.42	21.7	26.4	1.51
80SS	25.400	15.88	15.75	7.92	32.7	35.0	24.00	3.25	38.9	46.6	2.62
100SS	31.750	19.05	18.90	9.53	40.4	44.7	30.00	4.00	60.0	70.2	3.94
04BSS	6.000	4.00	2.80	1.85	6.80	7.8	5.00	0.60	2.0	2.4	0.11
05BSS	8.000	5.00	3.00	2.31	8.20	8.9	7.10	0.80	3.5	4.1	0.20
#06BSS	9.525	6.35	5.72	3.28	13.15	14.1	8.20	1.30	6.2	6.8	0.41
08BSS	12.700	8.51	7.75	4.45	16.7	18.2	11.80	1.60	12.0	14.3	0.70
10BSS	15.875	10.16	9.65	5.08	19.5	20.9	14.70	1.70	14.5	17.2	0.94
12BSS	19.050	12.07	11.68	5.72	22.5	24.2	16.00	1.85	18.5	20.9	1.16
16BSS	25.400	15.88	17.02	8.28	36.1	37.4	21.00	4.15/3.1	40.0	47.6	2.73
20BSS	31.750	19.05	19.56	10.19	41.3	45.0	26.40	4.5/3.5	59.0	69.6	3.73

\*套筒鏈: 表中滾子直徑d<sub>1</sub>為套筒直徑。

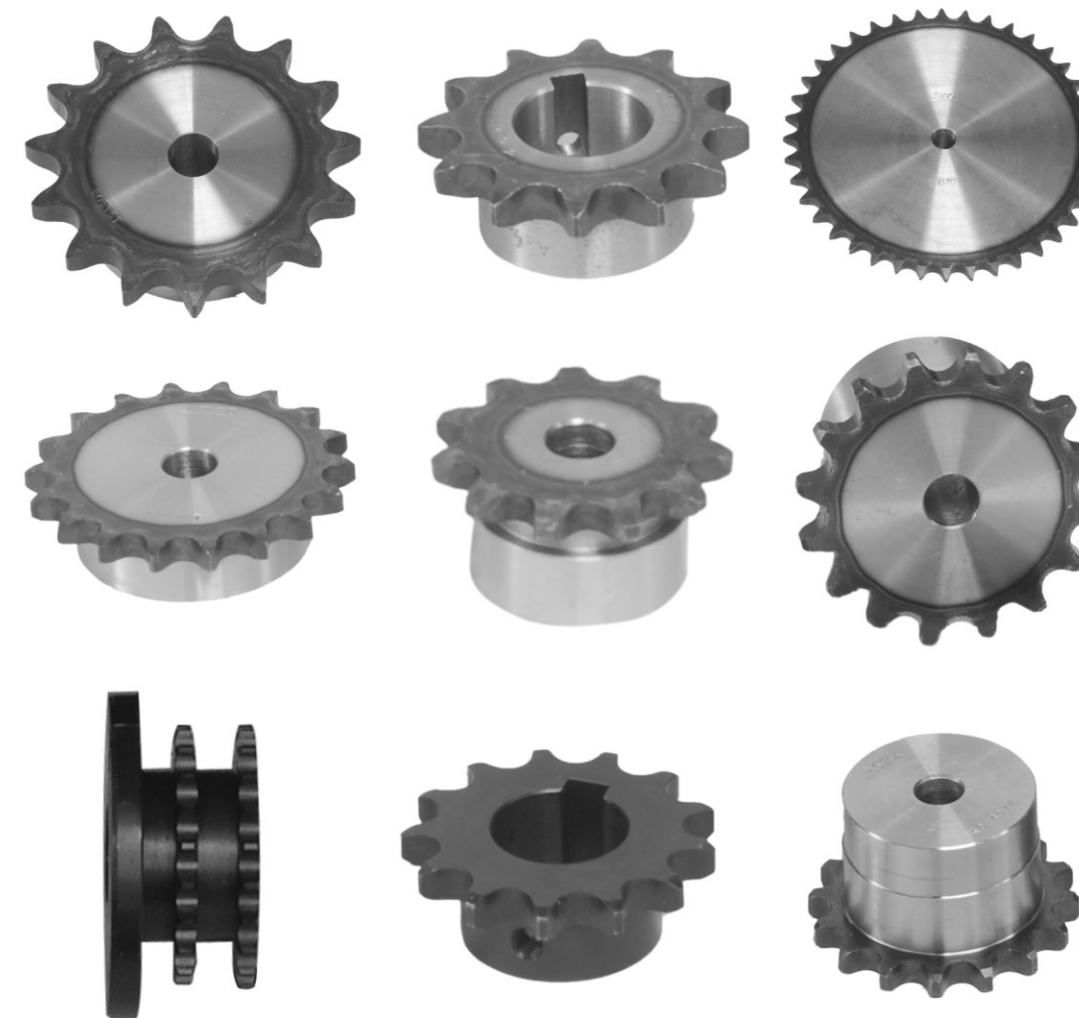
\*Bushing chain: d<sub>1</sub> in the table indicate the external diameter of the bushing.

#直鏈板

#Straight side plates

# ®STI 高品質鏈輪

## HIGH QUALITY SPROCKET



鏈條系列 ROLLER CHAIN

鏈輪系列 SPROCKET

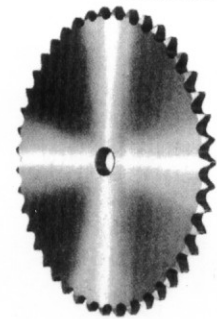
® **STI** 高品質鏈輪 SPROCKETS

SPROCKETS FOR EVERY KINDS OF CHAIN

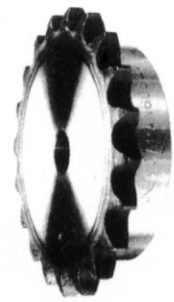
AVAILABLE AT YOUR REQUEST ● YOUR ORDERS ARE WELCOME

Available to designing in wide range

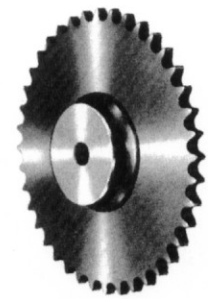
- Various sizes and teeth.
- High precision tooth profile to be served high efficiency in chain driving.
- Increase of durability by high frequency heat treatment of tooth surface.
- Economical price by the centralized mass production system.



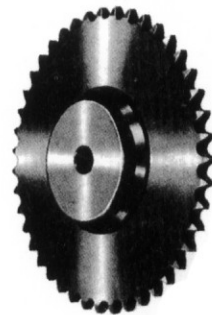
A-Type



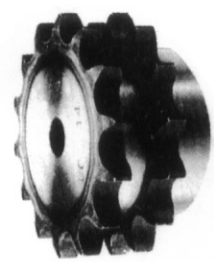
Single-stand B-Type



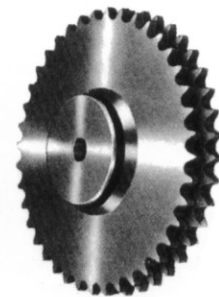
Single KB-type (welding hub)



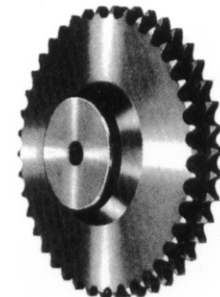
Single C-type (welding hub)



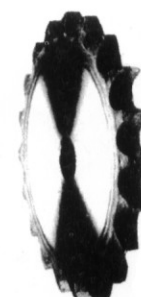
Double-stands B-type



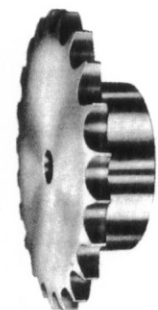
Double KB-type (welding hub)



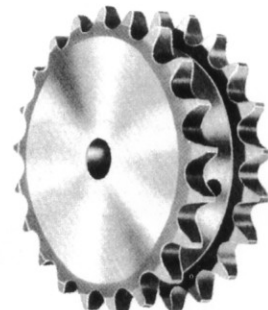
Double C-type (welding hub)



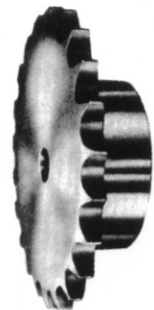
Hardened teeth A-type



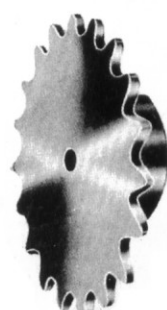
Stainless single B-type



Single-Double A-type

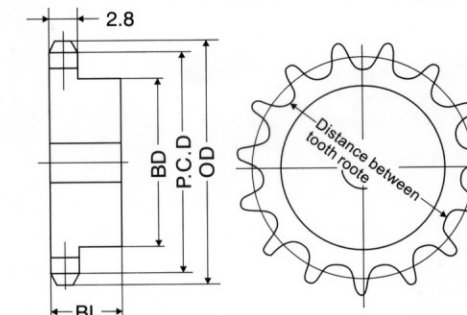


Double-pitch Standard roller B-type



Double-pitch Large roller B-type

美標ANSI/ASA 25



Single Strand B Type

Dimensions: millimeters

No. of Teeth	Outside Diam. OD	Pitch Diam. P.C.D	Bottom or Caliper Diam.	Stock Bore	Type "B" SINGLE STRAND				Wt. Kg	Material
					HUB		BORE			
					Diam. BD	Length Thru Bore BL	Min.	Max.		
10	23	20.55	17.25	6.5	14	15	8	8.5	0.03	S45C
11	25	22.54	19.01	6.5	15	15	8	8.5	0.03	
12	28	24.53	21.23	7.5	15	15	8	9.5	0.03	
13	30	26.53	23.04	7.5	18	15	9.5	10	0.05	
14	32	28.54	25.24	7.5	20	15	9.5	10	0.05	
15	34	30.54	27.07	7.5	20	15	9.5	10	0.05	
16	36	32.55	29.25	9.5	25	15	11.5	12	0.06	
17	38	34.56	31.11	9.5	25	15	11.5	12	0.07	
18	40	36.57	33.27	9.5	25	15	11.5	12	0.07	
19	42	38.58	35.15	9.5	28	15	11.5	16	0.08	
20	44	40.59	37.29	9.5	28	15	11.5	16	0.08	
21	46	42.61	39.19	9.5	28	15	11.5	16	0.09	
22	48	44.62	41.32	9.5	30	15	11.5	16	0.10	
23	50	46.63	43.23	9.5	30	15	11.5	16	0.11	
24	52	48.65	45.35	9.5	30	15	11.5	16	0.12	
25	54	50.66	47.27	9.5	35	15	11.5	20	0.14	
26	56	52.68	49.38	9.5	35	15	11.5	20	0.14	
27	58	54.70	51.30	9.5	35	15	11.5	20	0.15	
28	60	56.71	53.41	9.5	35	15	11.5	20	0.15	
29	62	58.73	55.35	9.5	35	15	11.5	20	0.16	
30	64	60.75	57.45	9.5	35	15	11.5	20	0.16	
31	66	62.77	59.39	10.5	40	20	12.5	22	0.20	
32	68	64.78	61.48	10.5	40	20	12.5	22	0.20	
33	70	66.80	63.43	10.5	40	20	12.5	22	0.20	
34	72	68.82	65.52	10.5	40	20	12.5	22	0.21	
35	74	70.84	67.47	10.5	40	20	12.5	22	0.21	
36	76	72.86	69.56	10.5	40	20	12.5	22	0.22	
37	78	74.88	71.51	10.5	40	20	12.5	22	0.26	
38	80	76.90	73.60	10.5	40	20	12.5	22	0.26	
39	82	78.91	75.55	10.5	40	20	12.5	22	0.27	
40	84	80.93	77.63	10.5	40	20	12.5	22	0.27	
41	87	82.95	79.59	10.5	50	20	12.5	30	0.32	
42	89	84.97	81.67	10.5	50	20	12.5	30	0.32	
43	91	86.99	83.63	10.5	50	20	12.5	30	0.40	
44	93	89.01	85.71	10.5	50	20	12.5	30	0.41	
45	95	91.03	87.68	10.5	50	20	12.5	30	0.41	
48	101	97.09	93.79	10.5	50	20	12.5	30	0.43	
50	105	101.13	97.83	10.5	50	20	12.5	30	0.46	
54	113	109.21	105.91	10.5	50	20	12.5	30	0.47	
60	125	121.33	118.03	10.5	50	20	12.5	30	0.52	
65	135	131.43	128.09	11.5	50	30	13.5	30	0.72	
70	145	141.54	138.24	11.5	50	30	13.5	30	0.77	
75	155	151.64	148.31	11.5	50	30	13.5	30	0.82	
80	165	161.74	158.44	11.5	50	30	13.5	30	0.88	

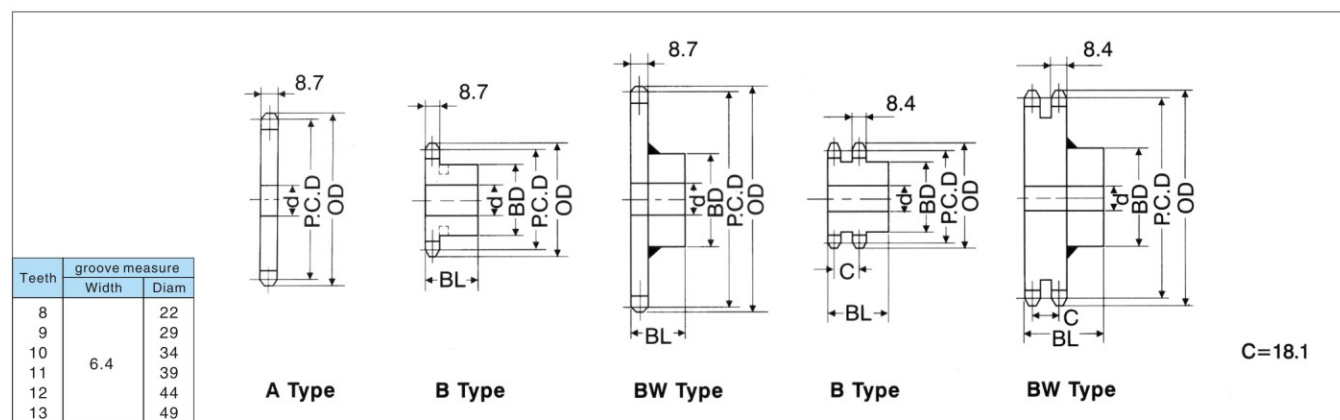
NOTES:  
 • Data in colored box imply S45C machined without hardening.  
 • Other sprockets than listed may be manufactured. For details, contact us.  
 • Shaft hole, key groove and tap hole may be machined upon request.

鏈輪系列 SPROCKET

鏈輪系列 SPROCKET



美標ANSI/ASA 50



美標ANSI/ASA 60

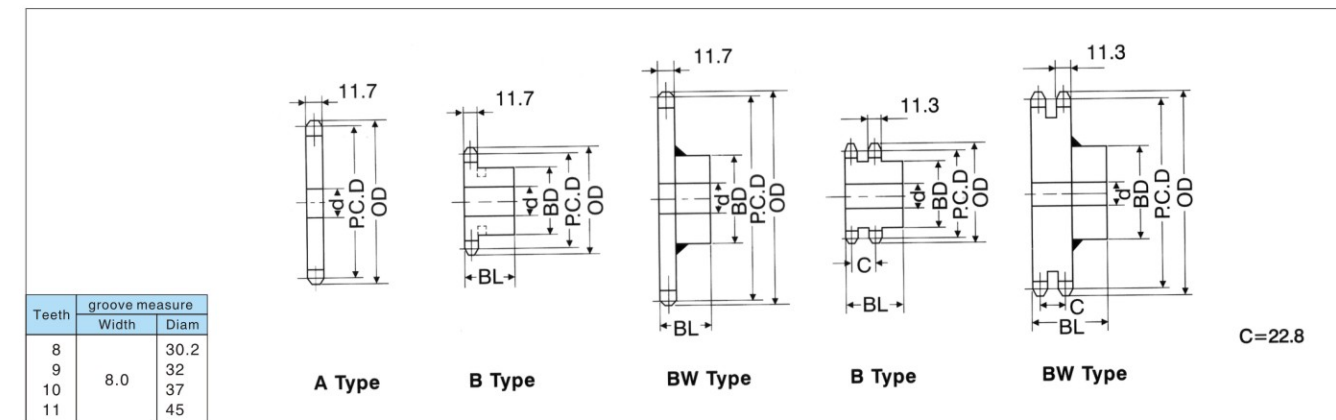


Table with 16 columns: No. of Teeth, Outside Dia. OD, Pitch Dia. P.C.D., Bottom or Caliper Diam., Stock Bore, HUB (Diam. BD, Length Thru Bore BL), BORE (Min, Max), Wt. Kg, Material, Stock d, Wt. Kg, Material, HUB (Diam. BD, Length Thru Bore BL), BORE (Min, Max), Wt. Kg, Material.

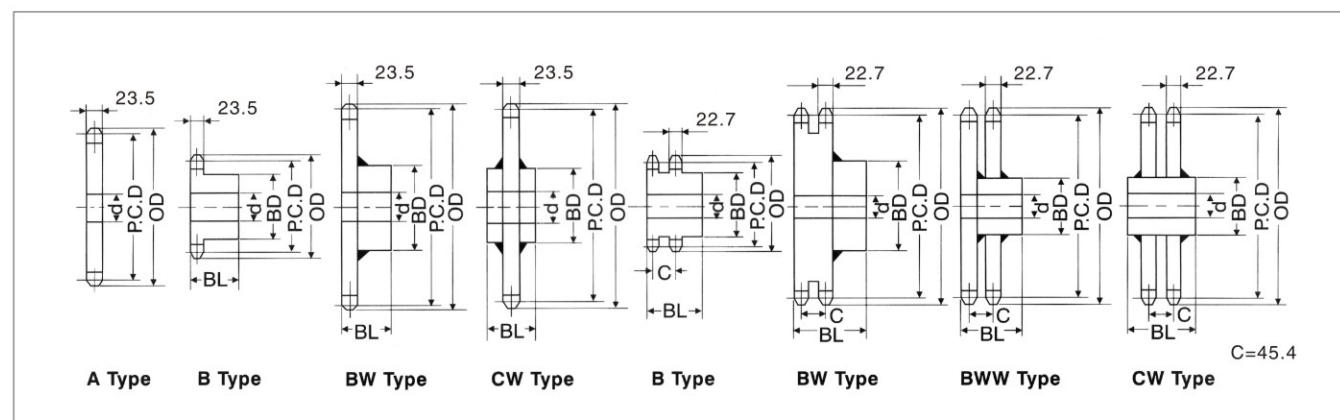
Table with 16 columns: No. of Teeth, Outside Dia. OD, Pitch Dia. P.C.D., Bottom or Caliper Diam., Stock Bore, HUB (Diam. BD, Length Thru Bore BL), BORE (Min, Max), Wt. Kg, Material, Stock d, Wt. Kg, Material, HUB (Diam. BD, Length Thru Bore BL), BORE (Min, Max), Wt. Kg, Material.

NOTES:
• Data in colored box imply teeth hardening.
• Materials in colored box imply S45C body machined or S45C teeth, and SS41 welded, with teeth hardening.
• Shaft hole, key groove and tap hole can be machined upon request.

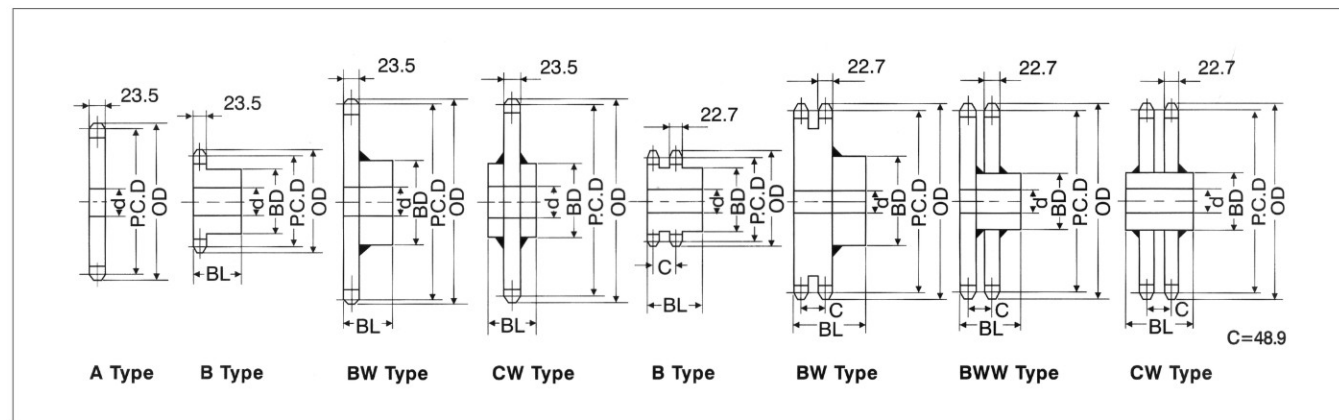
NOTES:
• Data in colored box imply teeth hardening.
• Materials in colored box imply S45C body machined or S45C teeth, and SS41 welded, with teeth hardening.
• Shaft hole, key groove and tap hole can be machined upon request.



美標ANSI/ASA 120



美標ANSI/ASA 140



鏈輪系列 SPROCKET

Table with 25 columns: No. of Teeth, Outside Dia. OD, Pitch Dia. P.C.D, Bottom or Caliper Diam., Stock Bore, HUB (Diam. BD, Length Thru Bore BL), BORE (Min., Max.), Wt. Kg, Material, Stock d, Wt. Kg, Material, HUB (Diam. BD, Length Thru Bore BL), BORE (Min., Max.), Wt. Kg, Material.

NOTES:
- Data in colored box imply teeth hardening.
- Materials in colored box imply S45C body machined or S45C teeth, and SS41 welded, with teeth hardening.
- Shaft hole, key groove and tap hole may be machined upon request.
- Other sprockets than listed may be manufactured. For details, contact us.
- Sprocket marked with ● has a groove at the external circumference of boss. See Groove Dimensions table above.
- Finished diameter of Drill hole of B-type(double-strand) sprocket is minimum shaft hole diameter minus 2 mm.

鏈輪系列 SPROCKET

Table with 25 columns: No. of Teeth, Outside Dia. OD, Pitch Dia. P.C.D, Bottom or Caliper Diam., Stock Bore, HUB (Diam. BD, Length Thru Bore BL), BORE (Min., Max.), Wt. Kg, Material, Stock d, Wt. Kg, Material, HUB (Diam. BD, Length Thru Bore BL), BORE (Min., Max.), Wt. Kg, Material.

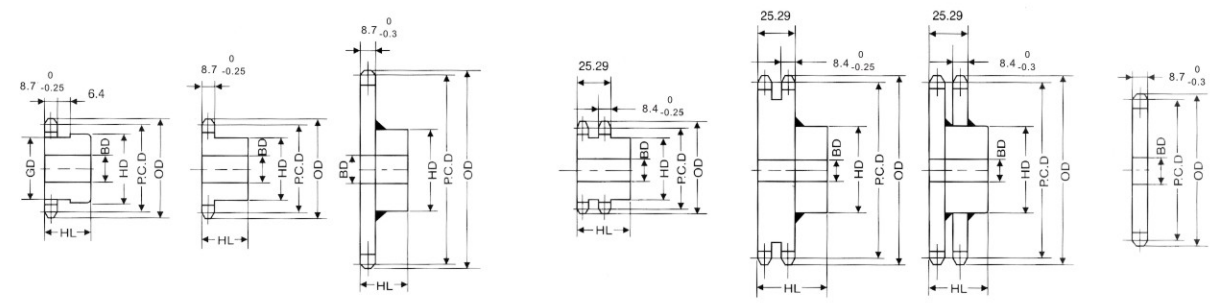
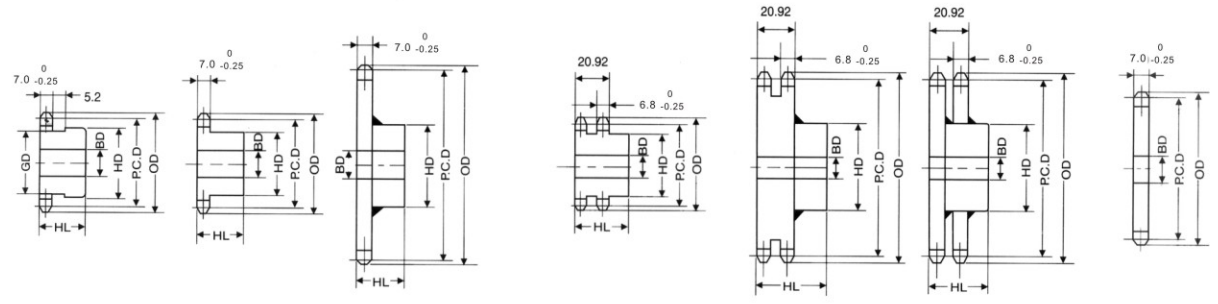
NOTES:
- Data in colored box imply S45C without teeth hardening.
- Sprocket marked with ● is C-type(welded).
- Material of B-type with number of teeth of 14 to 21 is S45C, and that of boss is SS41 without teeth hardening.
- For sprockets with 14 to 21 teeth, its material may be changed to forged steel (S45C) without notice according to material or manufacturing situations.
- Shaft hole, key groove and tap hole may be machined upon request.
- Other sprockets than listed may be manufactured. For details, contact us.





英標BS/DIN/ISO 08B

英標BS/DIN/ISO 10B



Dimensions: mm

Dimensions: mm

Table with columns: No. of Teeth, Pitch Dia. P.C.D., Outside Dia. OD, Bore(BD), Hub (HD, HL), Approx. Weight kg, Materials, No. of Teeth. Rows include SAE 1040 and Mild Steel (SS41) for various tooth counts from 9 to 96.

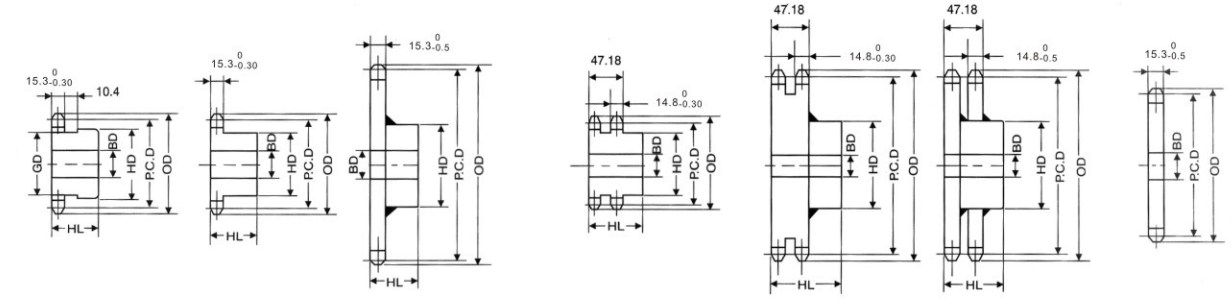
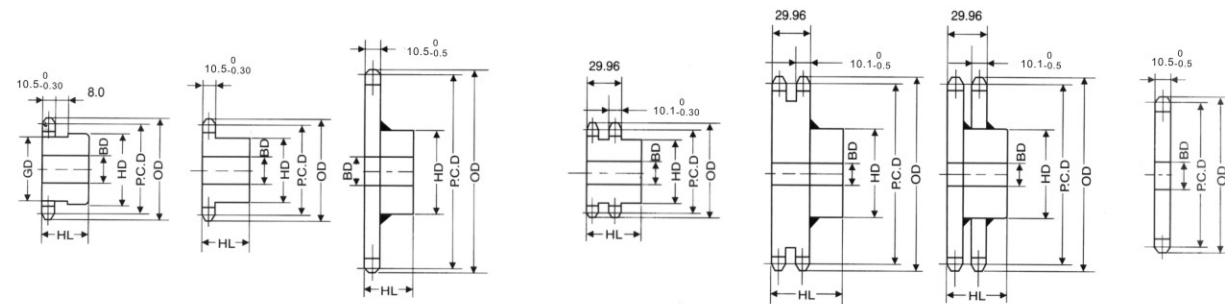
Table with columns: No. of Teeth, Pitch Dia. P.C.D., Outside Dia. OD, Bore(BD), Hub (HD, HL), Approx. Weight kg, Materials, No. of Teeth. Rows include SAE 1040 and Mild Steel (SS41) for various tooth counts from 9 to 96.

NOTES: The maximum bore dia. shows the general application and please decide your bore dia. by the normal designing of industrial machines. Please also check the face pressure of keyway. Sprockets (B-type only) in color shaded show "with hardened teeth." Bore, keyways and setscrews will be machined upon request. Sprockets shown with an asterisk (\*) have a recessed groove in hub for chain clearance. Groove dimensions (GD) are 9T=21, 10T=25, 11T=30, 12T=32. Also available are sprockets other than those shown above.

NOTES: The maximum bore dia. shows the general application and please decide your bore dia. by the normal designing of industrial machines. Please also check the face pressure of keyway. Sprockets (B-type only) in color shaded show "with hardened teeth." Bore, keyways and setscrews will be machined upon request. Sprockets shown with an asterisk (\*) have a recessed groove in hub for chain clearance. Groove dimensions (GD) are 9T=27, 10T=32, 11T=37, 12T=42 and 13T=47. Also available are sprockets other than those shown above.

英標BS/DIN/ISO 12B

英標BS/DIN/ISO 16B



Dimensions: mm

Dimensions: mm

Table with columns for No. of Teeth, Pitch Dia. P.C.D, Outside Dia. OD, and Sprocket Type (Single B, Double B, Single A). It lists various material options like SAE 1040 and Mild Steel (SS41) with their corresponding dimensions and approximate weights.

Table with columns for No. of Teeth, Pitch Dia. P.C.D, Outside Dia. OD, and Sprocket Type (Single B, Double B, Single A). It lists various material options like SAE 1040 and Mild Steel (SS41) with their corresponding dimensions and approximate weights.

NOTES:
• The maximum bore dia. shows the general application and please decide your bore dia. by the normal designing of industrial machines. Please also check the face pressure of keyway.
• Sprockets (B-type only) in color shaded show "with hardened teeth."
• Bore, keyways and setscrews will be machined upon request.
• Sprockets shown with an asterisk (\*) have a recessed groove in hub for chain clearance. Groove dimensions (GD) are 9T=32, 10T=37, 11T=45
• Also available are sprockets other than those shown above.

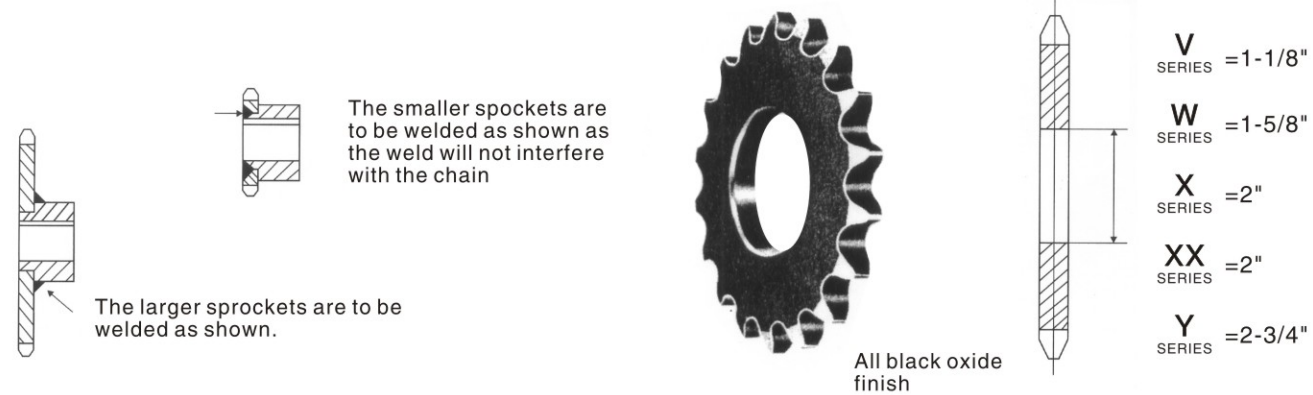
NOTES:
• The maximum bore dia. shows the general application and please decide your bore dia. by the normal designing of industrial machines. Please also check the face pressure of keyway.
• Sprockets (B-type only) in color shaded show "with hardened teeth."
• Bore, keyways and setscrews will be machined upon request.
• Sprockets shown with an asterisk (\*) have a recessed groove in hub for chain clearance. Groove dimensions (GD) are 9T=44
• Also available are sprockets other than those shown above.

鏈輪系列 SPROCKET

鏈輪系列 SPROCKET



**STI** 高品質焊接式凸臺鏈輪  
WELD FINISH SPROCKETS (ANSI)



We recommend to use Low Hydrogen Electrodes for welding sprocket parts.

No. of Teeth	ANSI-35	ANSI-41 (DIN,ISO Nr.085)	ANSI-40 (DIN,ISO Nr.08A)	ANSI-50 (DIN,ISO Nr.10A)	ANSI-60 (DIN,ISO Nr.12A)	ANSI-80 (DIN,ISO Nr.16A)	ANSI-100 (DIN,ISO Nr.20A)
	CHAIN PITCH 3/8"	CHAIN PITCH 1/2"	CHAIN PITCH 1/2"	CHAIN PITCH 5/8"	CHAIN PITCH 3/4"	CHAIN PITCH 1"	CHAIN PITCH 1-1/4"
9							
10				50 V 10	60 V 09	80 W 09	100 X 10
11				50 V 11	60 W 10	80 W 10	100 X 11
12		41 V 12	41 V 12	50 W 12	60 W 11	80 W 11	100 X 12
13		41 V 13	41 V 13	50 W 13	60 W 12	80 X 12	100 X 13
14		41 V 14	41 V 14	50 W 14	60 W 13	80 X 13	100 X 14
15	35 V 15	41 V 15	41 V 15	50 W 15	60 W 14	80 X 14	100 Y 14
16	35 V 16	41 W 16	41 W 16	50 W 16	60 X 15	80 X 15	100 Y 15
17	35 V 17	41 W 17	41 W 17	50 X 17	60 X 16	80 X 16	100 Y 16
18	35 V 18	41 W 18	41 W 18	50 X 18	60 X 17	80 X 17	100 Y 17
19	35 V 19	41 W 19	41 W 19	50 X 19	60 X 18	80 X 18	100 Y 18
20	35 V 20	41 W 20	40 X 20	50 X 20	60 X 19	80 X 19	100 Y 19
21	35 V 21	41 W 21	40 X 21	50 X 21	60 X 20	80 X 20	100 Y 20
22	35 W 22	41 W 22	40 X 22	50 X 22	60 X 21	80 X 21	100 Y 21
23	35 W 23	41 W 23	40 X 23	50 X 23	60 X 22	80 X 22	100 Y 22
24	35 W 24	41 W 24	40 X 24	50 X 24	60 X 23	80 X 23	100 Y 23
25	35 W 25	41 W 25	40 X 25	50 X 25	60 X 24	80 X 24	100 Y 24
26	35 W 26	41 W 26	40 X 26	50 X 26	60 X 25	80 X 25	100 Y 25
27	35 W 27	41 W 27	40 X 27	50 X 27	60 X 26	80 X 26	100 Y 26
28	35 W 28	41 W 28	40 X 28	50 X 28	60 X 27	80 X 27	
29	35 W 29	41 W 29	40 X 29	50 X 29	60 X 28	80 X 28	100 Y 28
30	35 W 30	41 W 30	40 X 30	50 X 30	60 X 29	80 X 29	
31	35 W 31	41 W 31	40 X 31	50 X 31	60 X 30	80 X 30	100 Y 30
32	35 W 32	41 W 32	40 X 32	50 X 32	60 X 31		
33	35 W 33	41 W 33	40 X 33	50 X 33	60 X 32	80 X 32	100 Y 32
34	35 W 34	41 W 34	40 X 34	50 X 34	60 X 33	80 X 33	
35	35 W 35	41 W 35	40 X 35	50 X 35	60 X 34	80 X 34	
36	35 W 36	41 W 36	40 X 36	50 X 36	60 X 35	80 X 35	100 Y 35
37	35 W 37	41 W 37	40 X 37	50 X 37	60 X 36	80 X 36	100 Y 36
38	35 W 38	41 W 38	40 X 38	50 X 38	60 X 37		
39	35 W 39	41 W 39	40 X 39	50 X 39	60 X 38		
40	35 W 40	41 W 40	40 X 40	50 X 40	60 X 39		
42	35 W 42	41 W 42	40 X 42	50 X 42	60 X 40	80 X 40	
43	35 W 43	41 W 43	40 X 43	50 X 43	60 X 41		
44	35 W 44	41 W 44	40 X 44	50 X 44	60 X 42		
45	35 W 45	41 W 45	40 X 45	50 X 45	60 X 43		
48	35 W 48	41 W 48	40 X 48	50 X 48	60 X 44		
50	35 W 50	41 W 50	40 X 50	50 X 50	60 X 45	80 X 45	
54	35 W 54	41 W 54	40 X 54	50 X 54	60 X 46	80 X 46	
60	35 W 60	41 W 60	40 X 60	50 X 60	60 X 47		
70	35 W 70	41 W 70	40 X 70	50 X 70	60 X 48	80 X 48	
72	35 W 72	41 W 72	40 X 72	50 X 72	60 X 49		
80	35 W 80	41 W 80	40 X 80	50 X 80	60 X 50		
84	35 W 84	41 W 84	40 X 84	50 X 84	60 X 51		
96	35 W 96	41 W 96	40 X 96	50 X 96	60 X 52		

▲Sprockets for BS standard chain No.06B-20B are manufactured upon request.

**STI** 高品質同步帶輪  
HIGH QUALITY TIMING BELT PULLEY



鏈輪系列 SPROCKET

同步帶輪系列 TIMING PULLEY